

1-877-903-7246

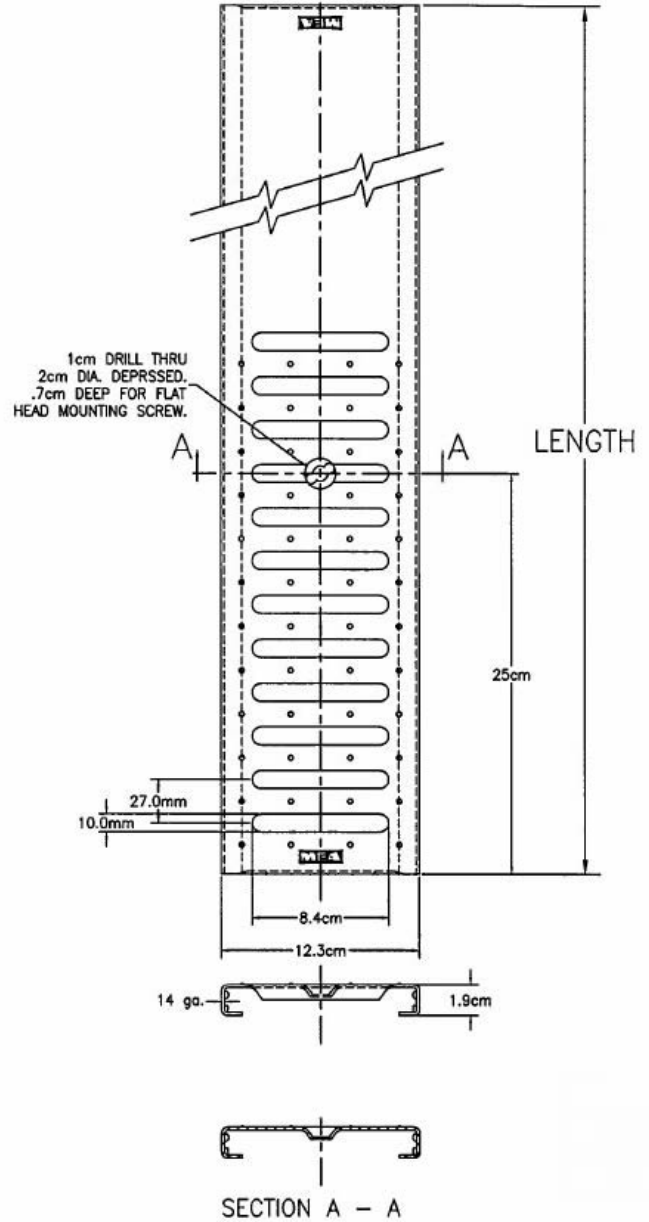



www.trenchdrainsupply.com

Number 152206	Series 152206 A Stainless Steel Slotted Half Meter 1000 Series Grates
------------------------------------	--



LENGTH	PART NO.
50 cm [19.7 in.]	152206



Manufacturer  Quality engineered trench drain system	Specification MEA 152201 STAINLESS STEEL SLOTTED HALF METER TRENCH GRATE , DESIGNED TO FIT 100 AND 1000 SERIES CHANNELS.WITH CLASS A LOAD RATING (3,500 LBS. - 70 PSI), SUPPLIED BY TRENCH DRAIN SUPPLY.
--	--

DISCLAIMER - The customer and the customer's architects, engineers, consultants, and other professionals are completely responsible for the selection installation and maintenance of any product purchased from Trench Drain Supply and/or its manufacturers. TRENCH DRAIN SUPPLY MAKES NO WARRANTY, EXPRESS OR IMPLIED, AS TO THE SUITABILITY, DESIGN, MERCHANTABILITY, OR FITNESS OF THE PRODUCT FOR CUSTOMERS APPLICATION. The drawing and information provided remain the property and copyright of the manufacturer listed. The manufacturer reserves the right to modify specification without notice.